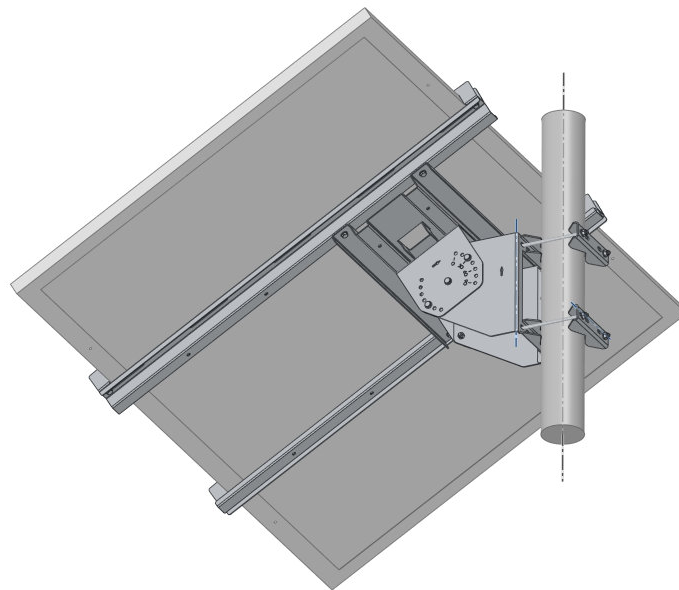


t o **w** n e t[®]

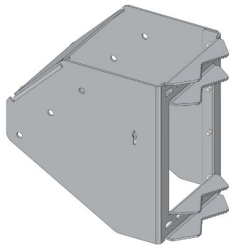
TW-ST-T2

Mounting instructions

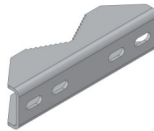


Components

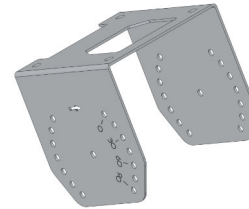
Number	Description	Qty
01	Pole bracket	1
02	Pole bracket	2
03	Panel bracket	1
04	Riser	1
05	Crosswise	2
06	Panel fixing brackets	4
08	Bolts M8x20	18
08	Bolts M8x180	4
09	Washers	36
10	Split washers	24
11	Panel bracket extended	4



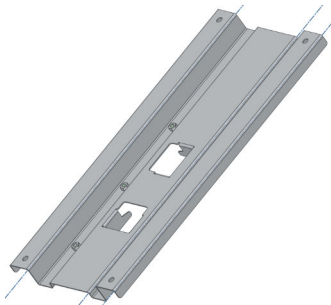
01 - Pole bracke



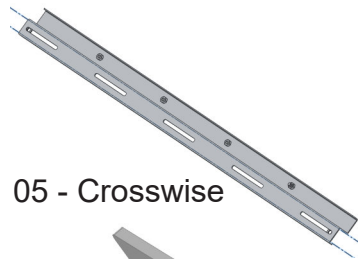
02 - Pole bracket



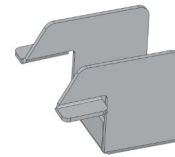
03 - Panel bracket



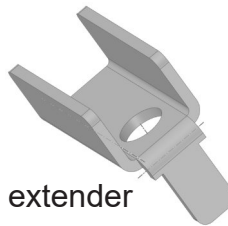
04 - Riser



05 - Crosswise



06 - Panel fixing brackets



11 - Panel bracket extender

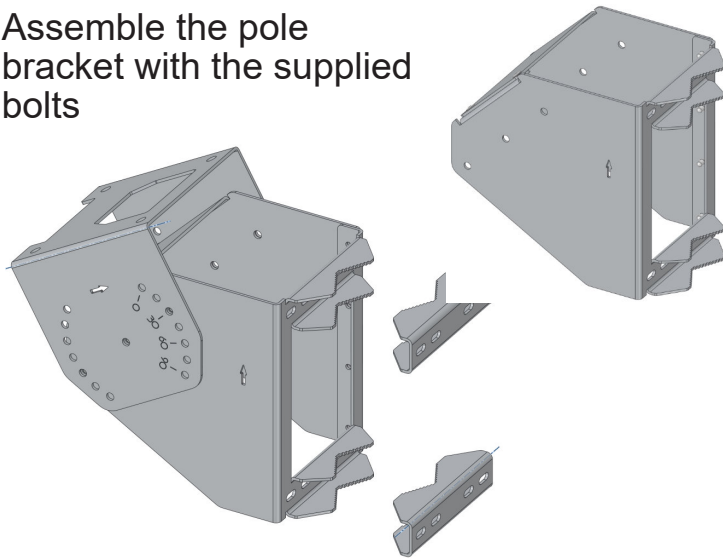


Security

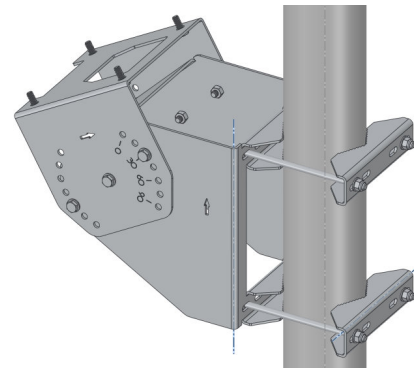
- Always use personal protective equipment during installation
- Do not install in case of rain or bad weather
- Do not stand under the installation point during the procedure

Installation procedure

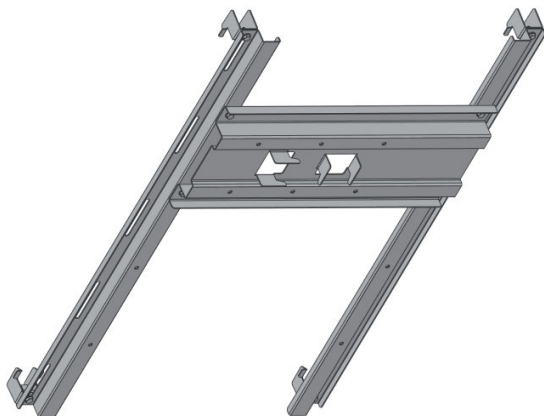
Assemble the pole bracket with the supplied bolts



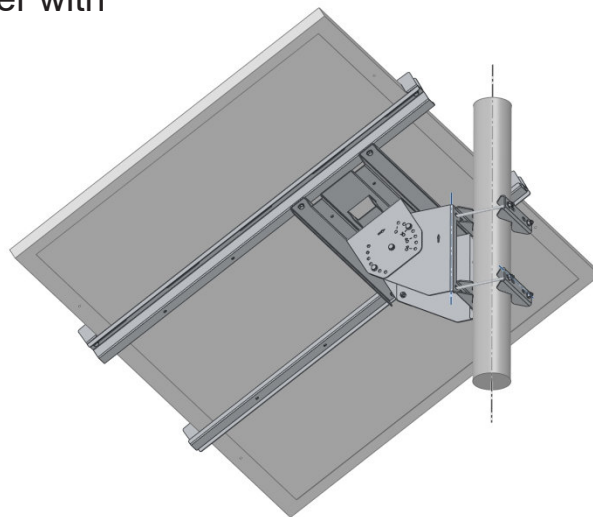
Bolt M6x16	6
Nuts M6	6
Washers	12
Split washers	6
Self-locking bolts	4



Attach the bracket to the pole together with the panel bracket

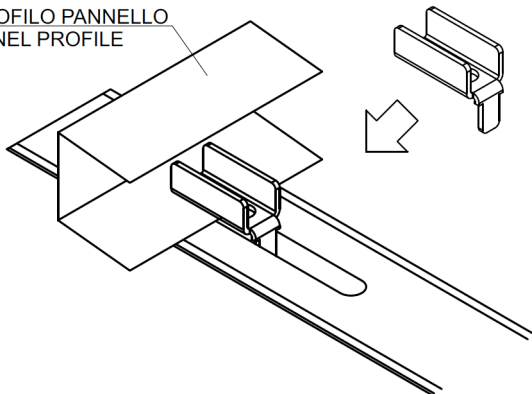


Assemble the upright with the two crosspieces and fix the panel with the fixing brackets



Hook the upright with the panel to the bracket using the two tabs on the back of the upright.

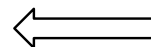
PROFILO PANNELLO
PANEL PROFILE



Use this stopper to fix panels bigger then 350WP with provided screws and bolts.

In case of need check more informations on the wiki.

wiki.townet.it





Townet srl Via Dei Finale 20,
61043 Cagli PU Tel:0721 797396

info@townet.it

Revision 10

Manuale_TW-ST-T2_10_EN.afpub